


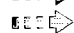

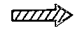





■ SCHEMATIC DIAGRAM (Parts list on pages 50~52, 56~59.)

(This schematic diagram may be modified at any time with the development of new technology.)

Note:

- **S701** : Voltage adjustment switch in "240V" position.
(110-127V ↔ 220-240V)
[For (G) area only.]
- **S946** : Numeric (5) switch.
- **S947** : Center level adjust (CENTER (-)) switch.
- **S948** : Test signal ON/OFF (TEST) switch.
- **S949** : Numeric (4) switch.
- **S950** : Numeric (6) switch.
- **S951** : Center level adjust (CENTER (+)) switch.
- **S952** : Numeric (7) switch.
- **S953** : Surround select (SURROUND (-)) switch.
- **S954** : Input select (CD) switch.
- **S955** : Input select (TUNER) switch.
- **S956** : Center mode select (CENTER MODE) switch.
- **S957** : Numeric (9) switch.
- **S960** : Surround select (SURROUND (+)) switch.
- **S961** : Numeric (8) switch.
- **S962** : Numeric (0) switch.
- **S963** : Delay time adjust (DELAY TIME) switch.
- **S964** : Input select (PHONO) switch.
- **S965** : Muting/loudness (-MUTING/-LOUDNESS) switch.
- **S966** : Memory (MEMORY) switch.
- **S967** : Help/reset (-HELP/-RESET) switch.
- **S968** : Numeric (≥10) switch.
- **S970** : Tape monitor ([TAPE MONITOR]) switch.
- **S971** : Input select (VCR 2/VIDEO CD) switch.
- **S972** : Input select (VCR 1) switch.
- **S973** : Speaker select (SPEAKERS A) switch.
- **S974** : Tuning control (TUNING ^) switch.
- **S975** : Tuning control (TUNING v) switch.
- **S976** : Band select (BAND) switch.
- **S977** : FM mode select (FM AUTO/MONO) switch.
- **S978** : Power (POWER) switch.
- **S980** : SFC mode select (SFC) switch.
- **S981** : Speaker select (SPEAKERS B) switch.
- **S983** : DOLBY PRO LOGIC mode select (PRO LOGIC) switch.
- **S984** : DOLBY PRO LOGIC/SFC OFF ON (OFF/ON) switch.
- **S985** : Numeric (3) switch.
- **S986** : Numeric (2) switch.
- **S987** : Numeric (1) switch.
- **S988** : Direct tuning (DIRECT TUNING) switch.

• Signal line

-  : FM OSC signal
-  : AM (MW/LW) OSC signal
-  : Rec out signal (Lch)
-  : Surround speaker drive signal (Lch)
-  : Positive voltage lines
-  : Negative voltage lines
-  : FM signal
-  : AM (MW/LW) signal
-  : Center speaker drive signal (Lch)

• Important safety notice

Components identified by Δ mark have special characteristics important for safety. Furthermore, special parts which have purposes of fire-retardant (resistors), high-quality sound (capacitors), low-noise (resistors), etc. are used as occasion calls. When replacing any of components, be sure to use only manufacturer's specified parts shown in the parts list.

• The supply part number is described alone in the replacement parts.

• All voltage values shown in circuitry are DC voltage in FM signal (Stereo signal) reception mode.

* Figures in () Stand for DC-voltage in AM (MW) signal reception mode.

* Figures in < > stand for DC-voltage in AM (LW) signal reception mode.

• L1~L6, R1~R6, C1, C3, C4, C5, S1, S3, S4 and S5 in the schematic diagram show the test points.

For detail, please refer to p. 16~p. 19.

• Caution!

IC and LSI are sensitive to static electricity.

Secondary trouble can be prevented by taking care during repair.

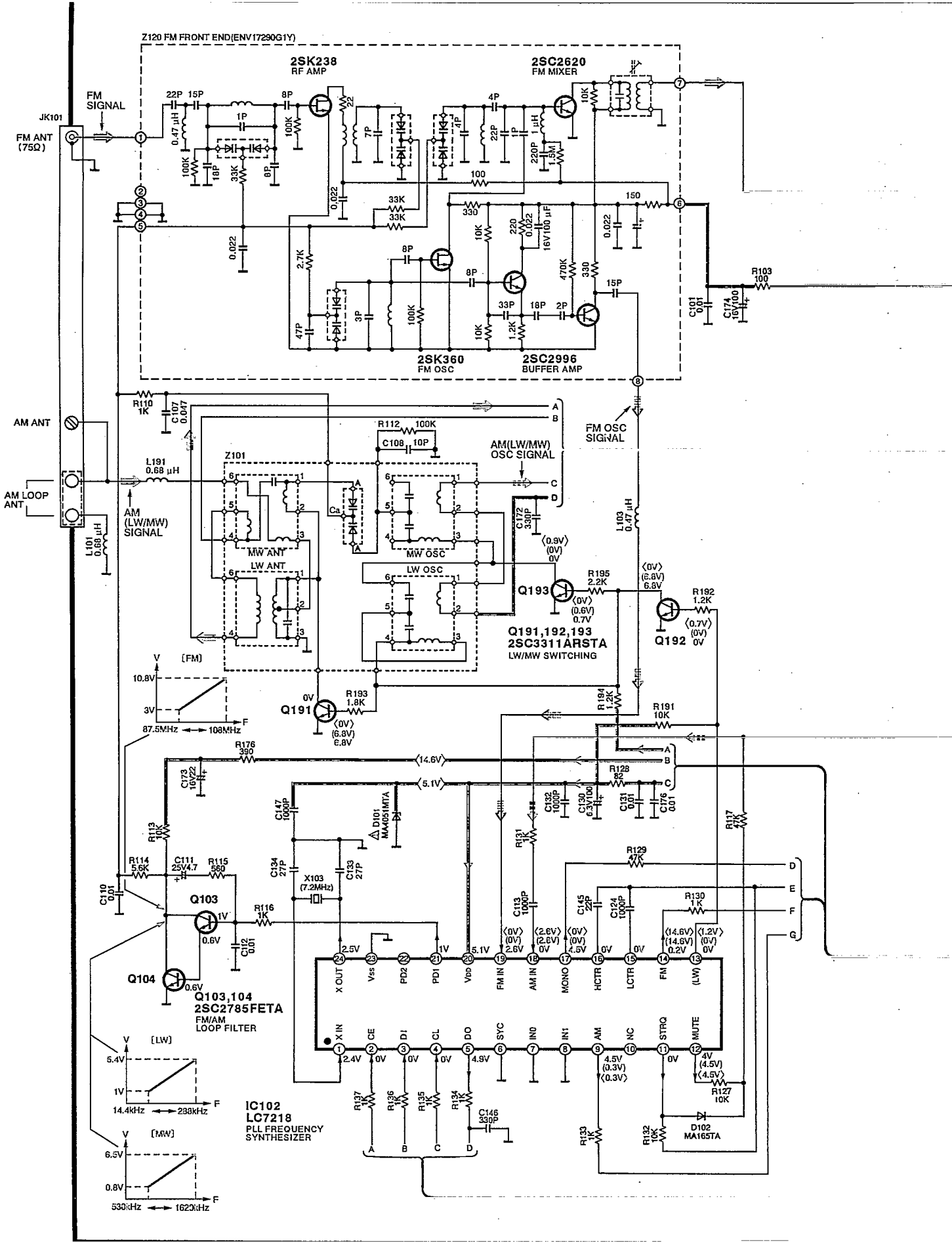
• Cover the parts boxes made of plastics with aluminum foil.

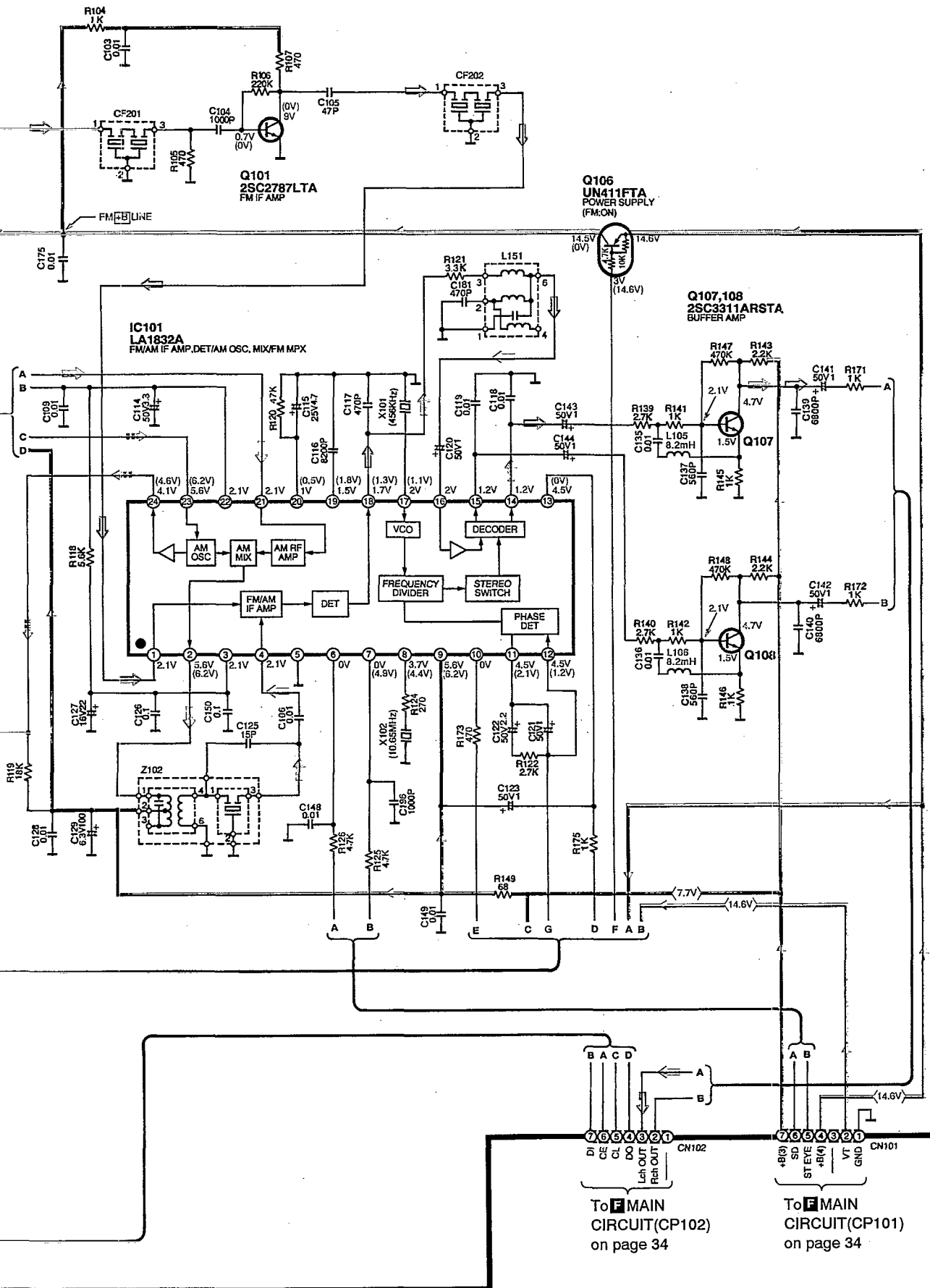
• Ground the soldering iron.

• Put a conductive mat on the work table.

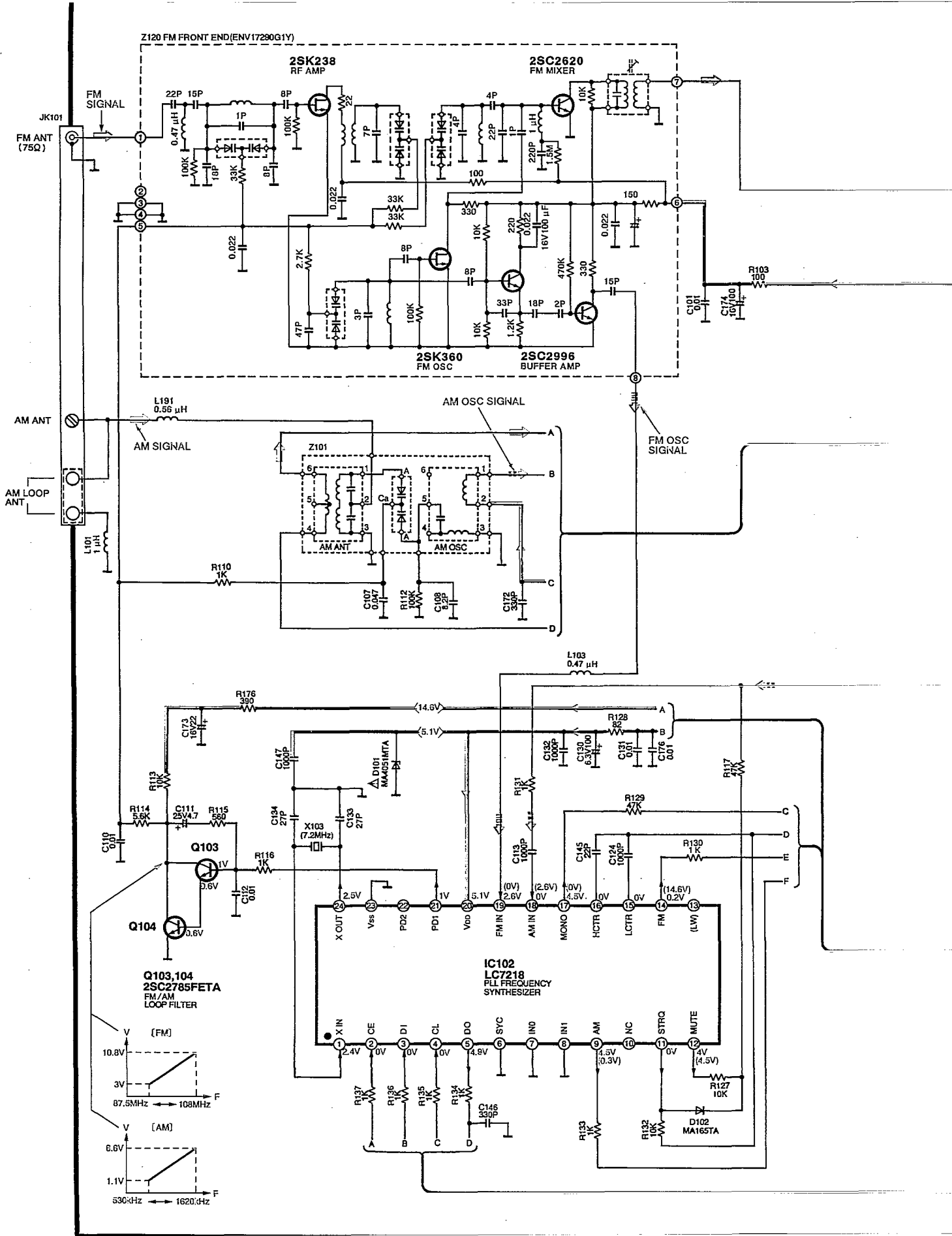
• Do not touch the legs of IC or LSI with the fingers directly.

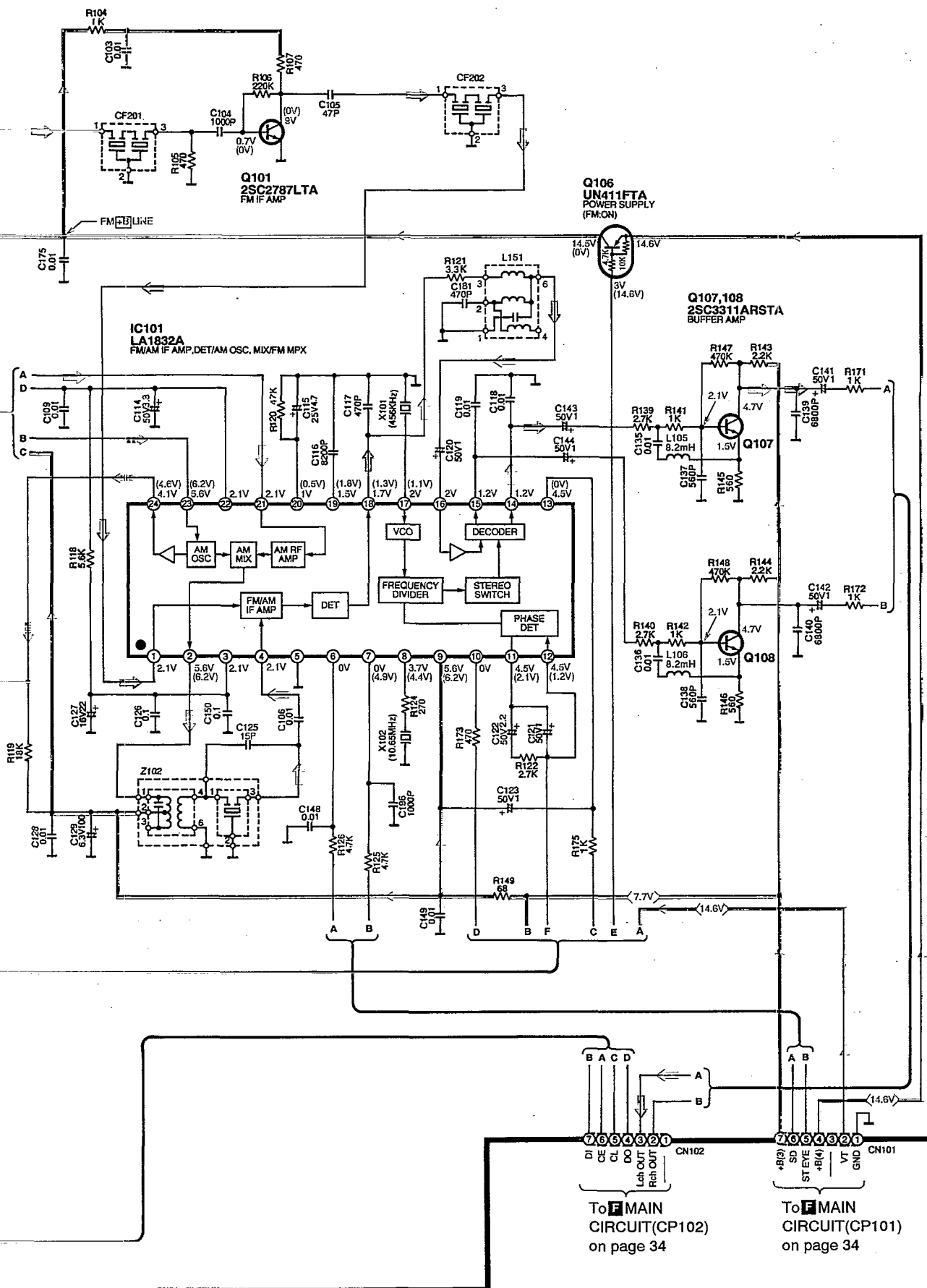
A TUNER CIRCUIT For[E,EB]areas. (P.C. Board: on page 43)





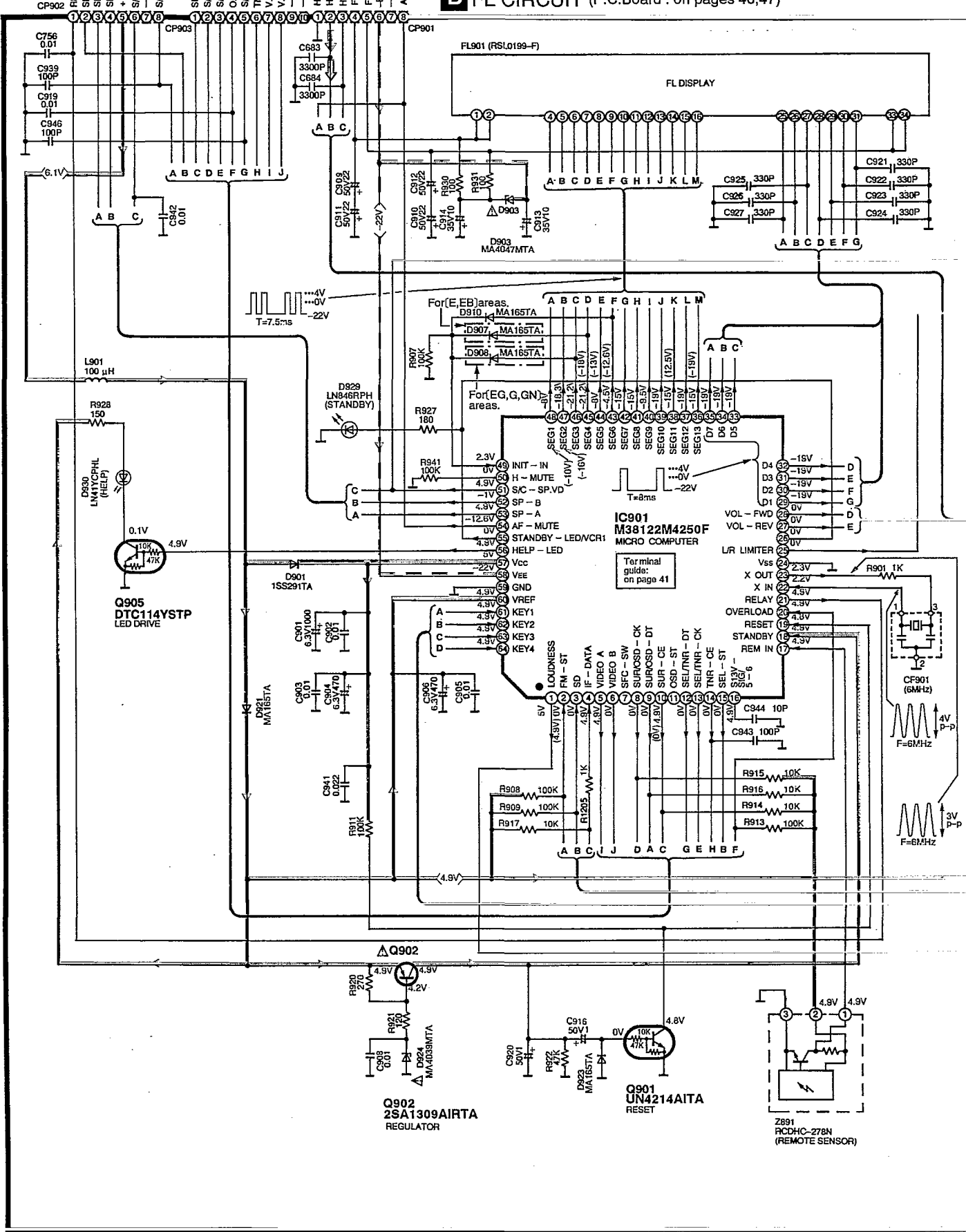
A TUNER CIRCUIT For(EG,G,GN)areas (P.C. Board: on page 43)

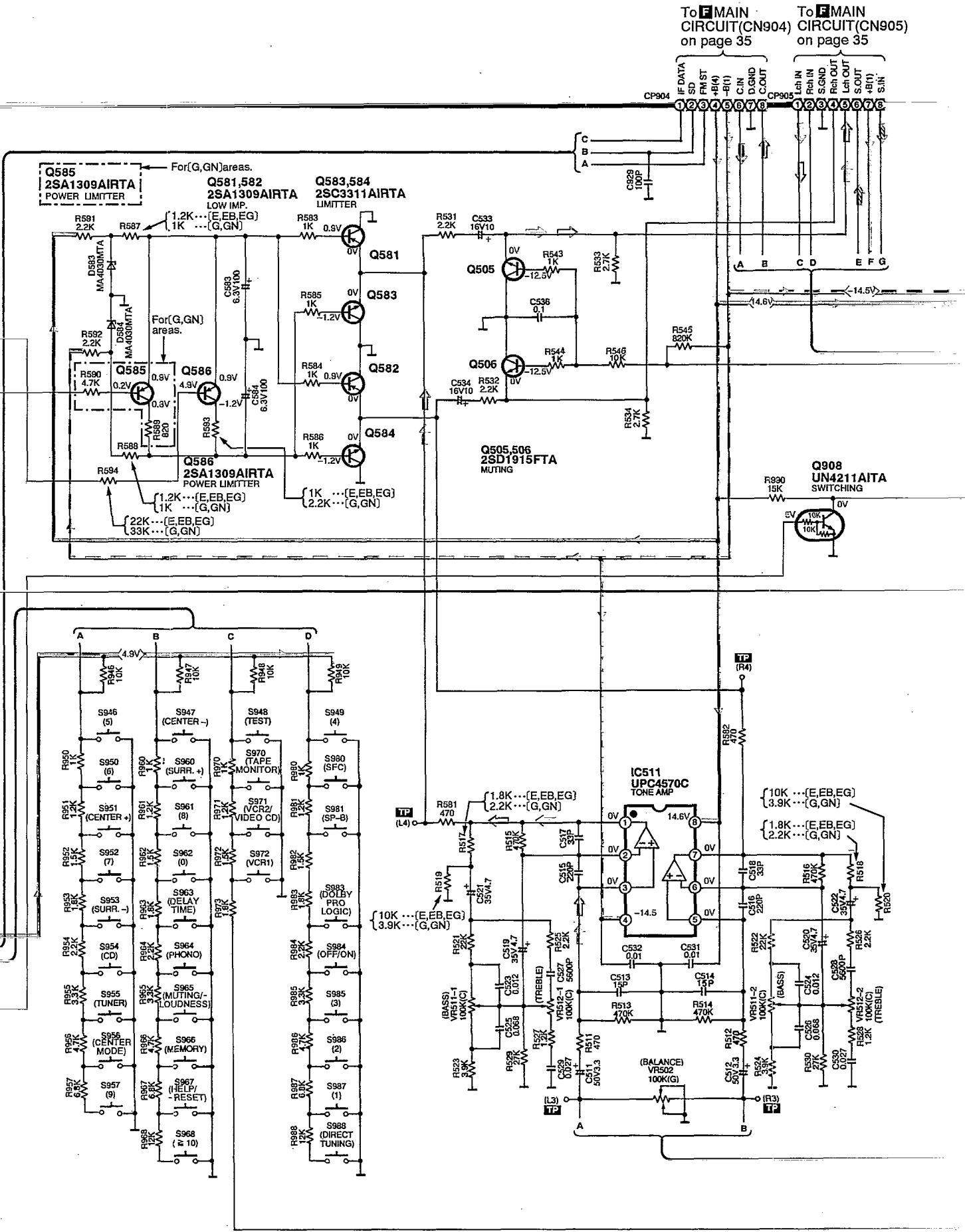




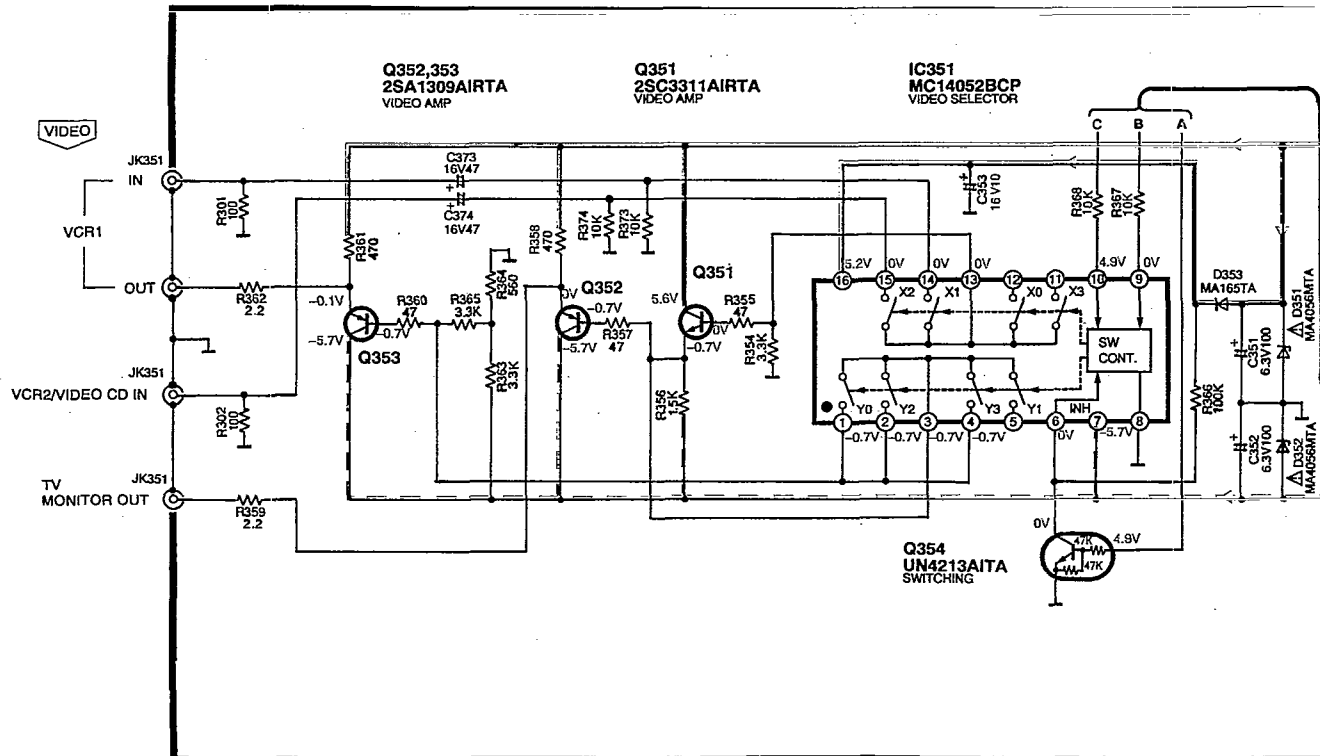
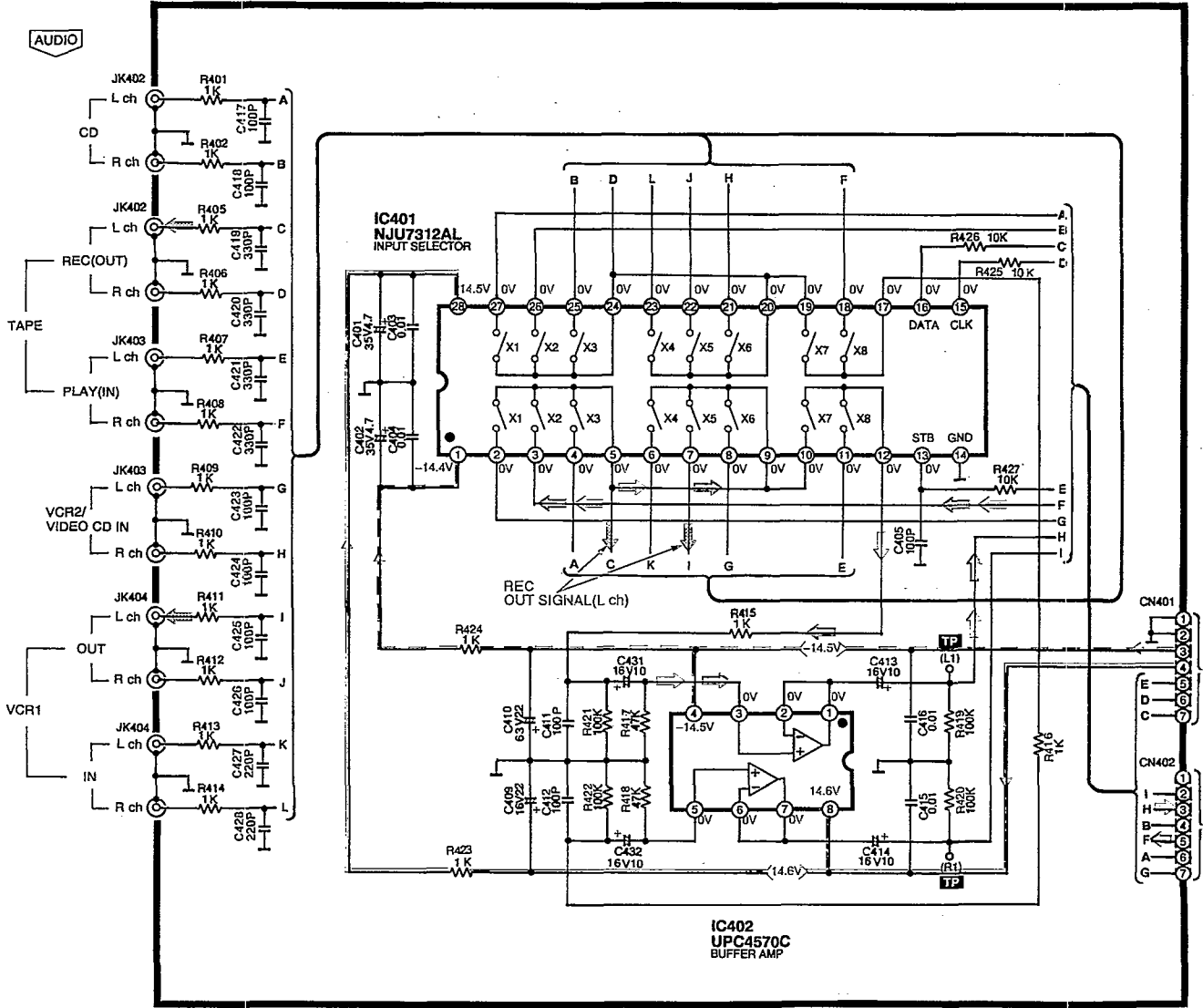
To MAIN CIRCUIT (CN902) on page 34
To MAIN CIRCUIT (CN903) on page 34
To MAIN CIRCUIT (CN901) on page 34

B FL CIRCUIT (P.C. Board : on pages 46,47)

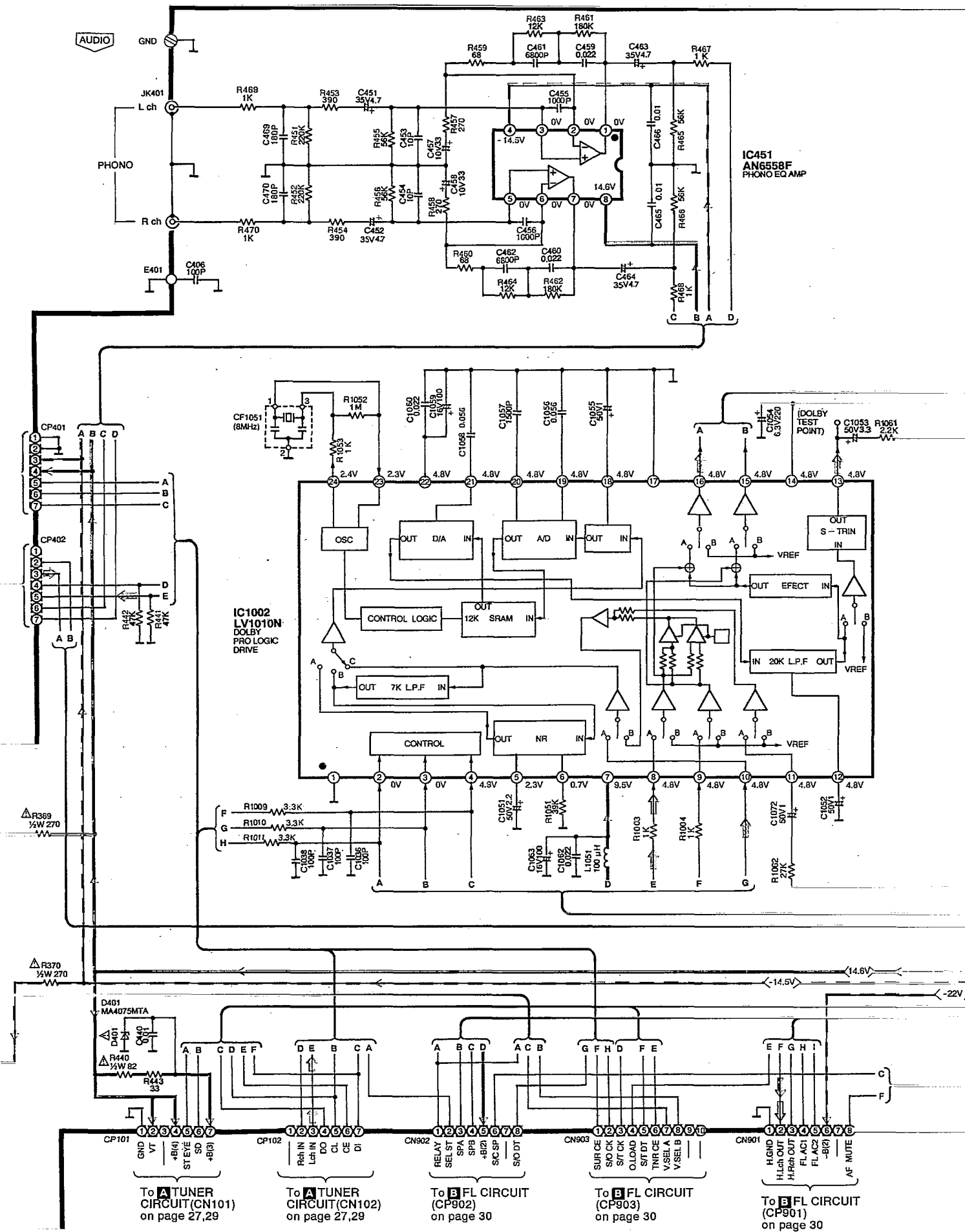


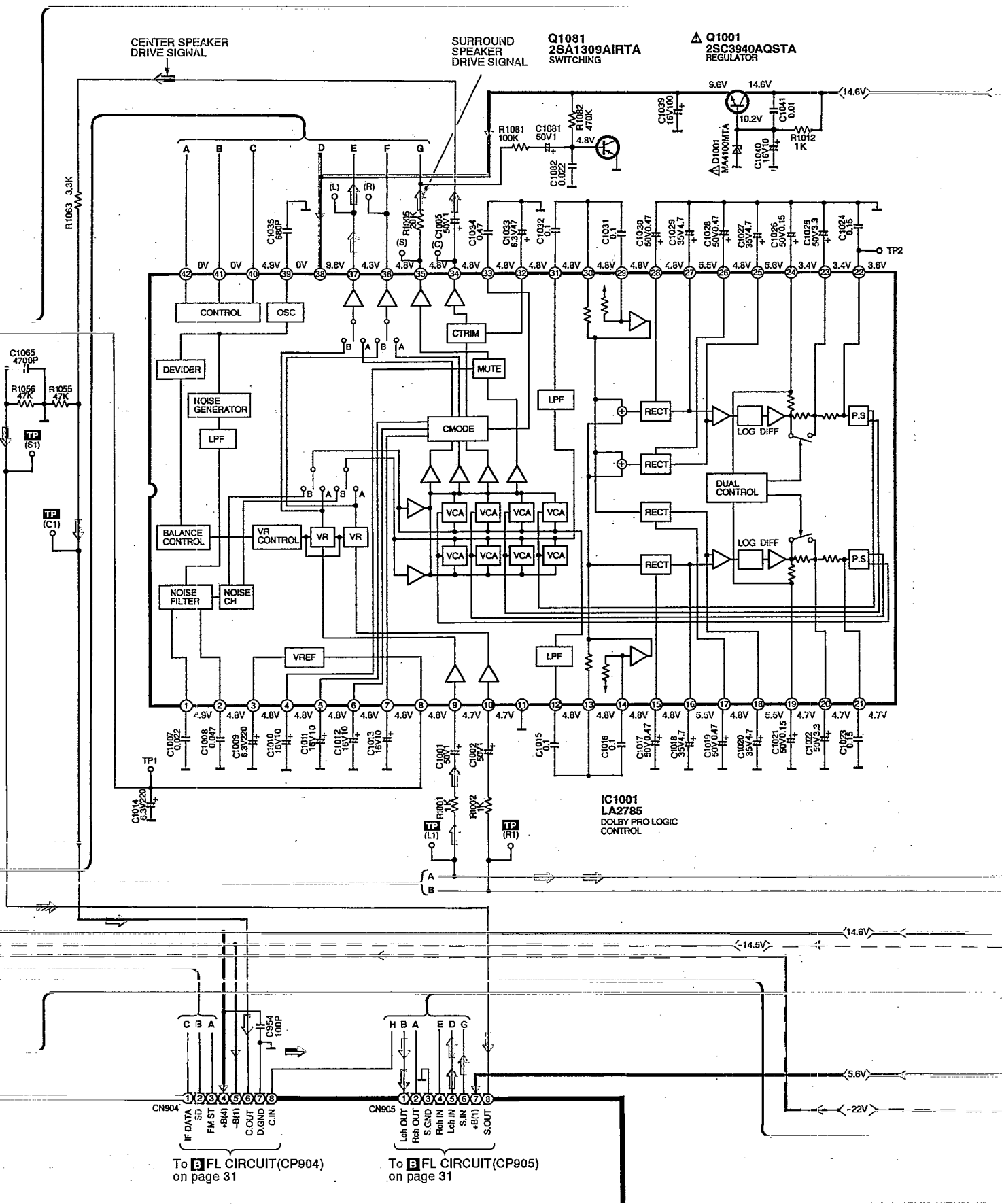


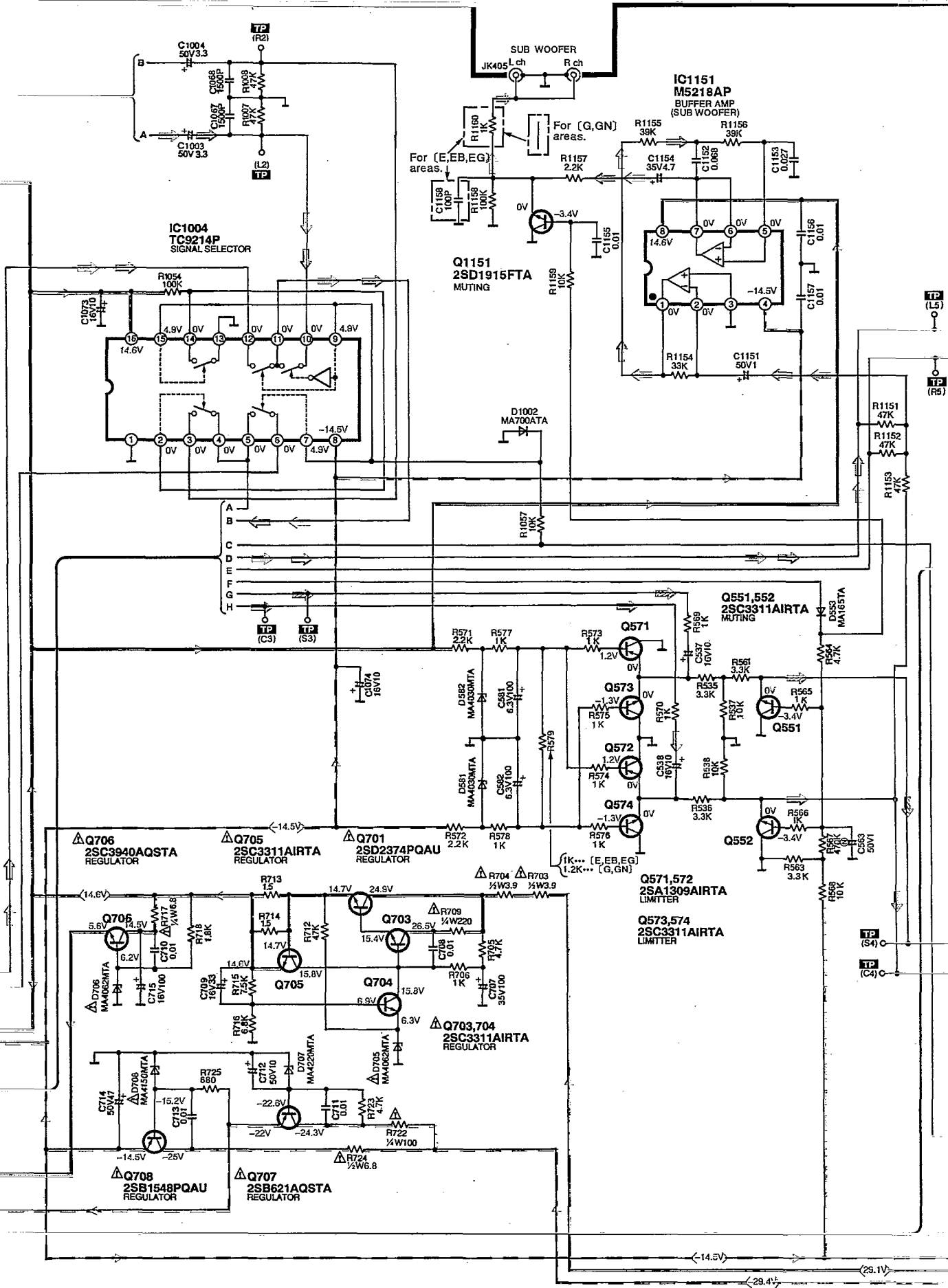
E IN/OUT TERMINAL CIRCUIT (P.C. Board : on page 47)



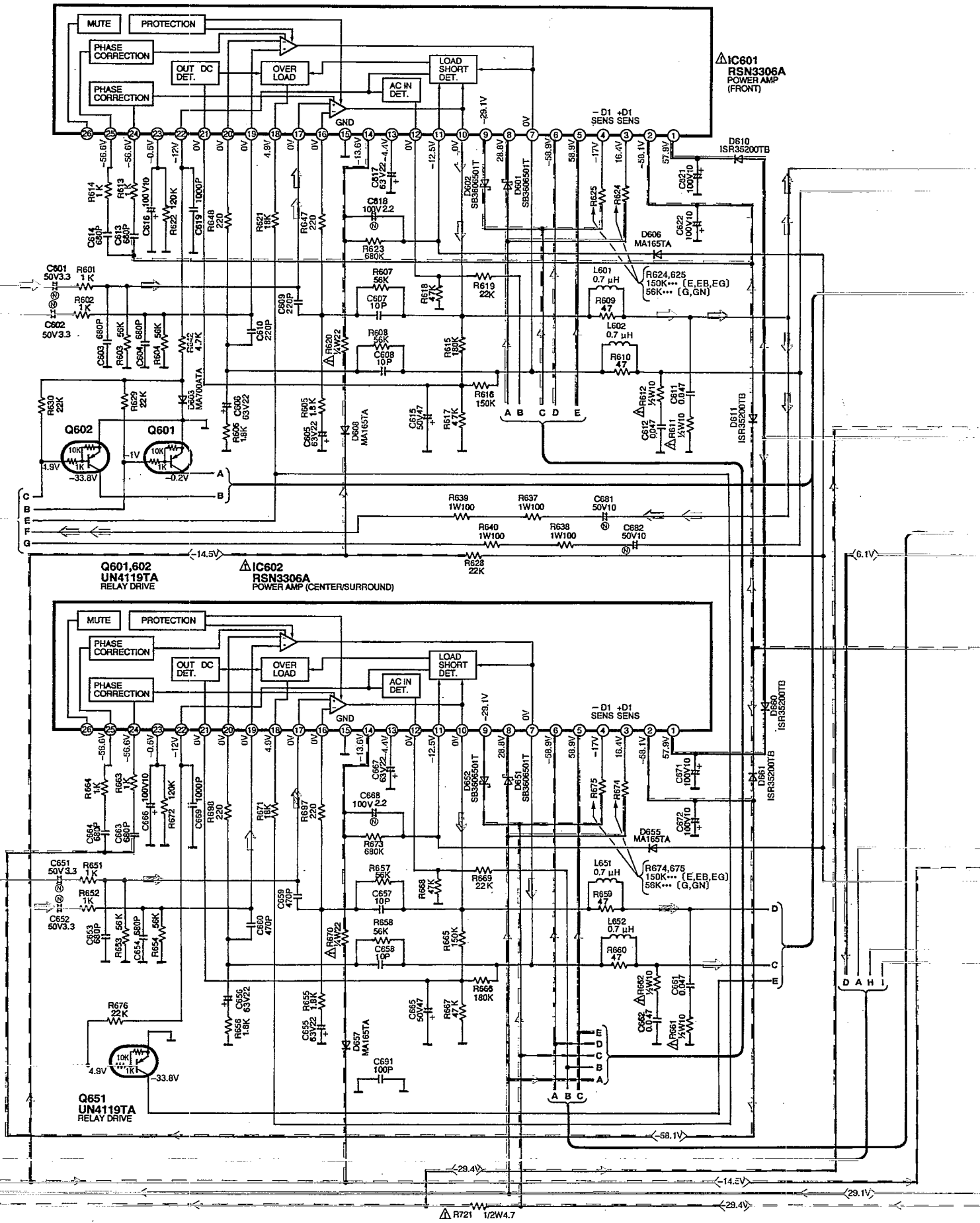
F MAIN CIRCUIT (P.C. Board: on pages 44,45)

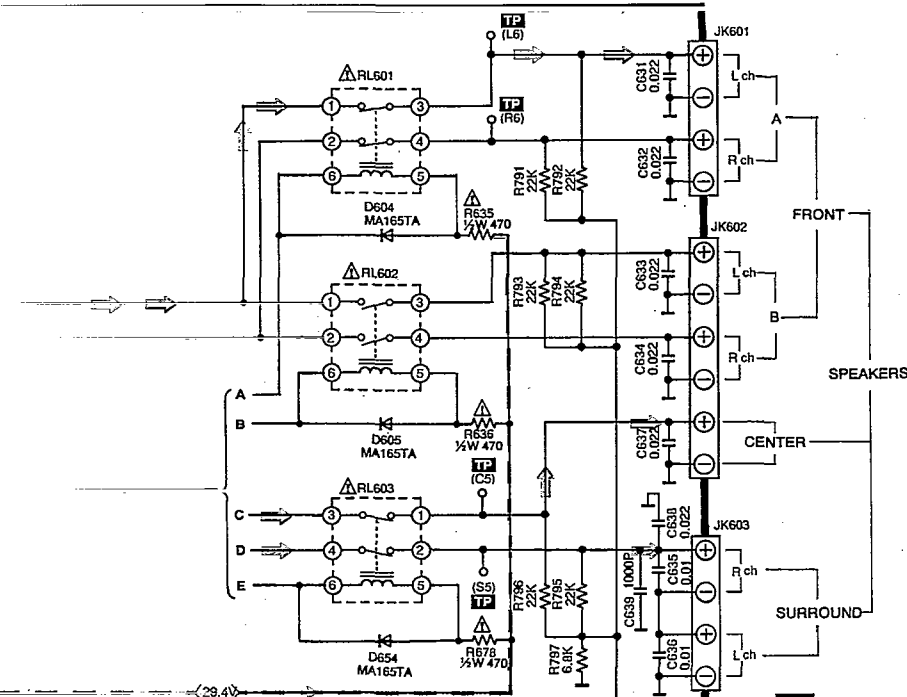




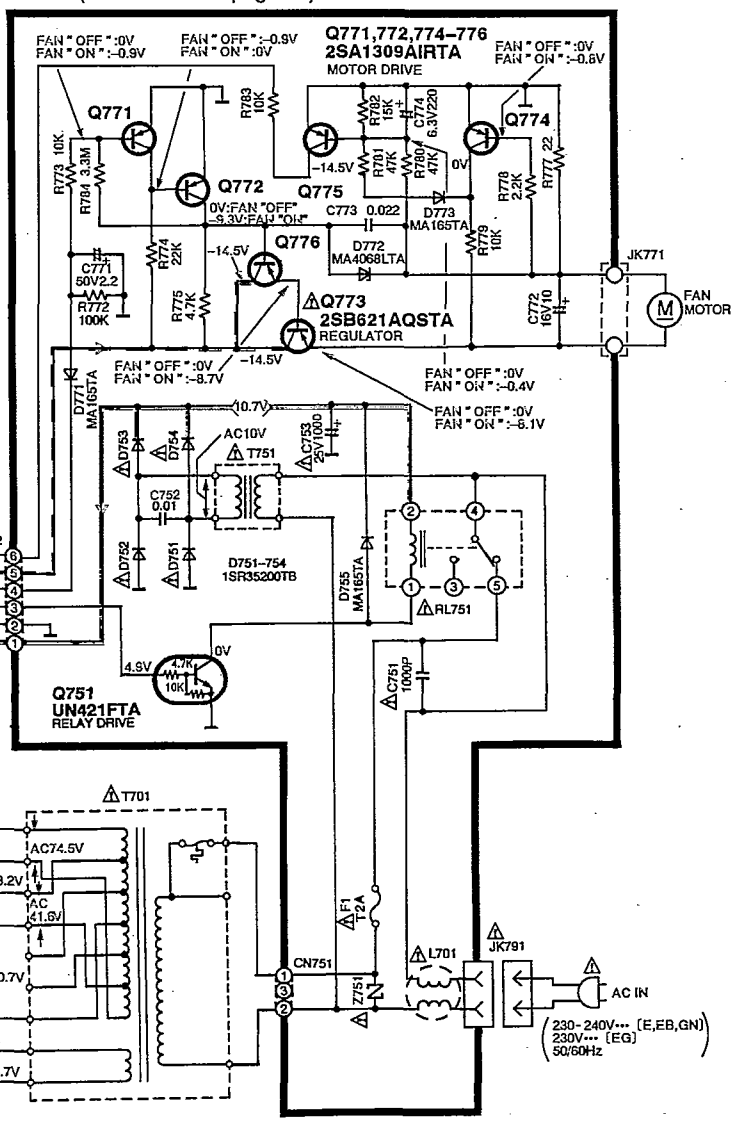


F MAIN CIRCUIT (P.C.Board: on pages 44,45)

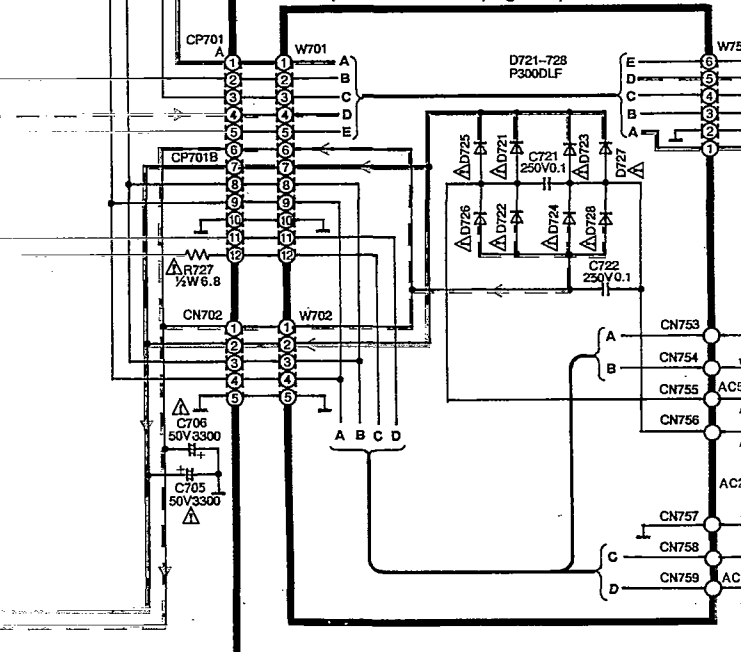




H POWER SUPPLY CIRCUIT
(P.C. Board: on page 48)

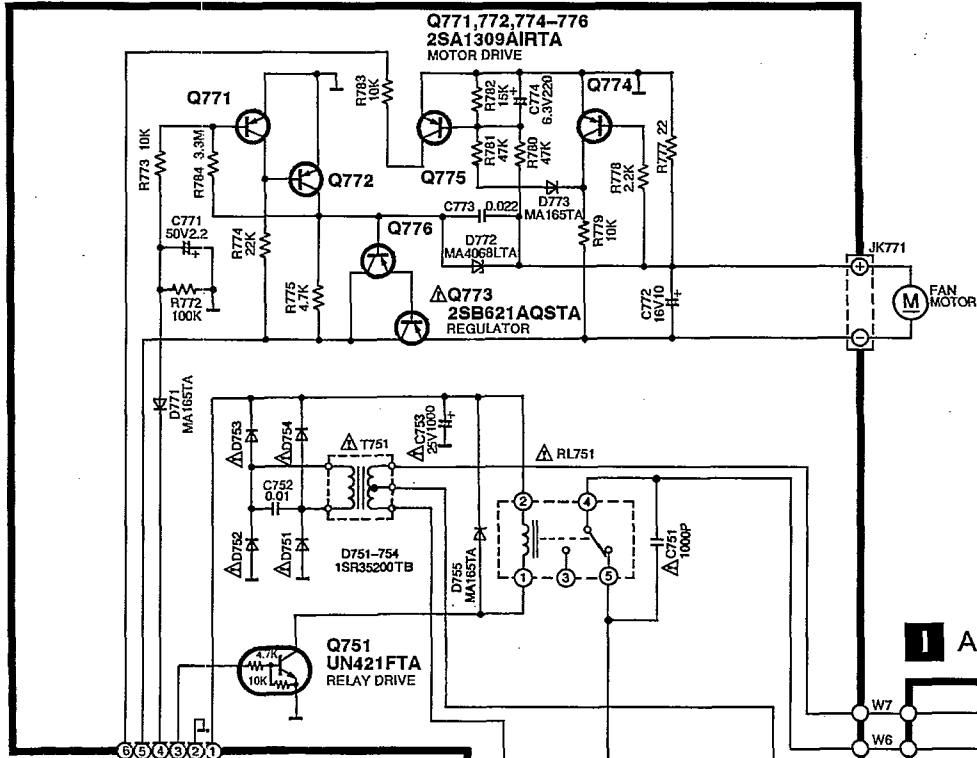


G POWER TRANSFORMER CIRCUIT
(P.C. Board: on page 48)

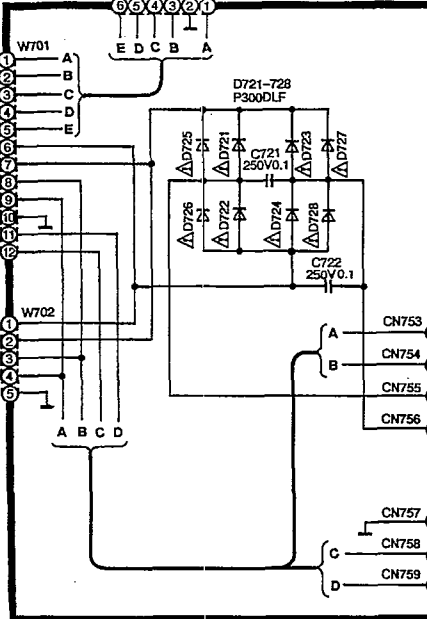
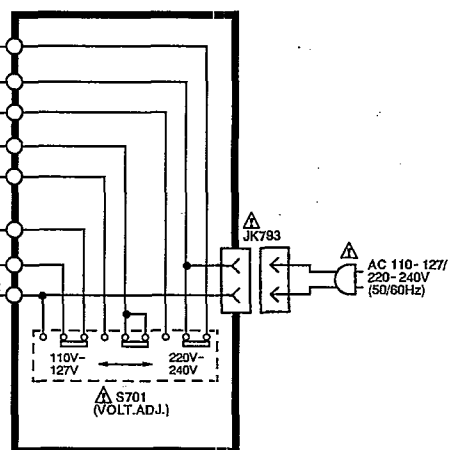


Power Source Circuit For [G] area. (P.C. Board: on page 49)

H POWER SUPPLY CIRCUIT



I AC IN CIRCUIT



G POWER TRANSFORMER CIRCUIT